



THUNDER TQ50CR 2.0

Thermal Monocular

HIKMICRO THUNDER TQ50CR 2.0 Thermal Monocular has a 640×512 thermal detector and a 1024×768 OLED display. High thermal sensitivity ensures perfect detail recognition even in the hardest weather conditions when the object and background are with minimal temperature difference. With an extended operation time, the scope is mainly applied to scenarios such as hiking, hunting, searching and rescuing.

Key Features

- 640×512 resolution with $12 \mu\text{m}$ sensor
- High sensitivity thermal module $\text{NETD} \leq 20 \text{ mK}$ (25°C , $F\# = 1.0$)
- 1024×768 resolution 0.39-inch OLED display
- Supports image brightness and tone adjustment
- Up to 6.5 hours of continuous operation
- Replaceable and rechargeable Li-ion battery
- Supports audio and recoil-activated recording
- High shock resistance up to $1000 \text{ g}/0.4 \text{ ms}$
- Observation Distance up to 2600 m

Specification

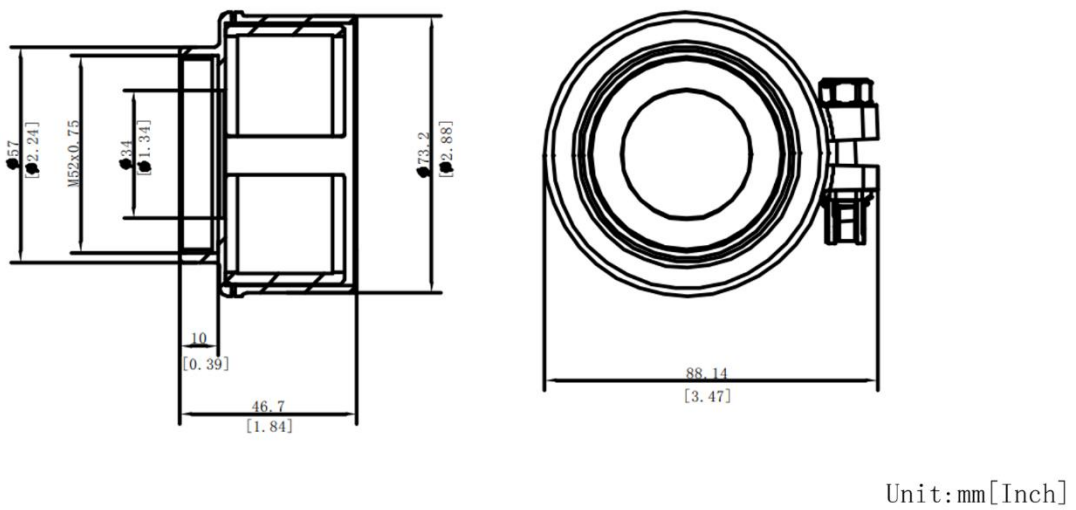
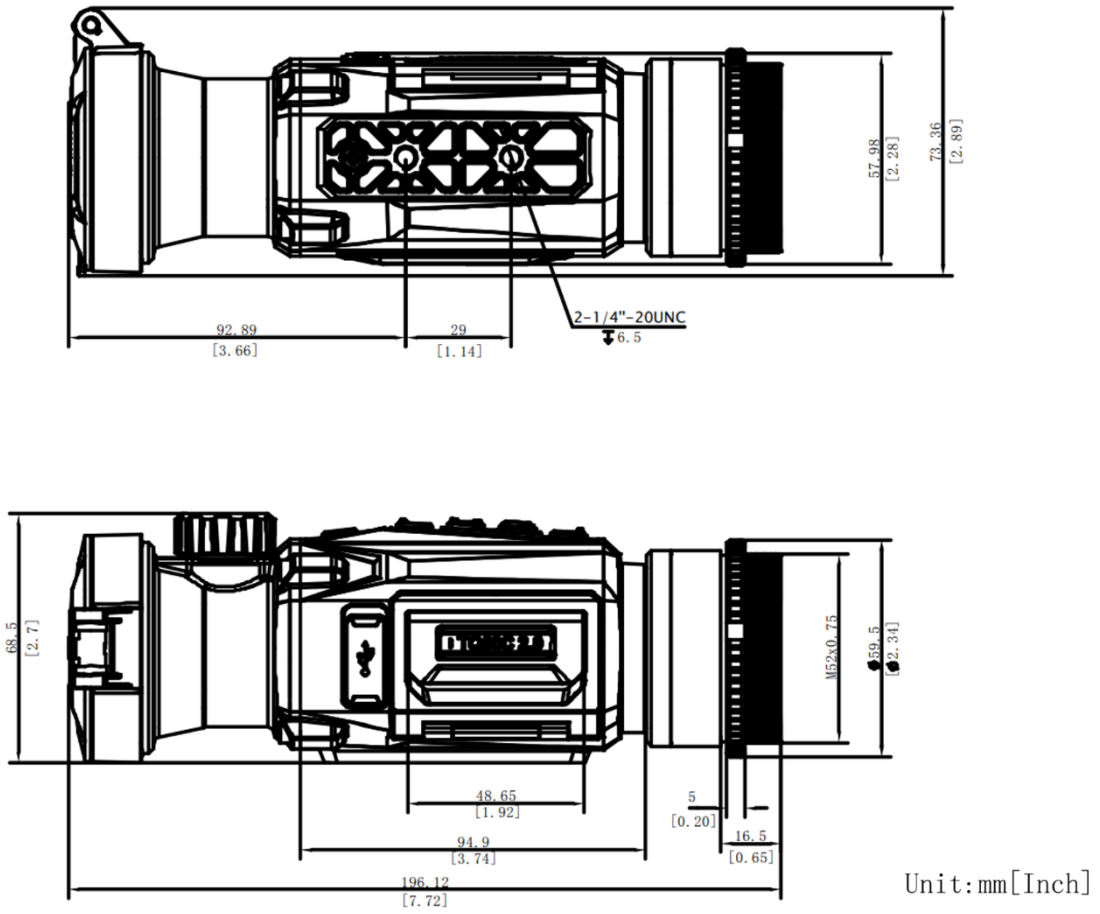
THERMAL MODULE	
IMAGE SENSOR	Uncooled Focal Plane Arrays
MAX. RESOLUTION	640 × 512
FRAME RATE	50 Hz
PIXEL INTERVAL	12 μm
NETD	less than 20 mK (25°C, F# = 1.0)
LENS (FOCAL LENGTH)	50 mm
FOCUS KNOB	Yes
DETECTION RANGE	2600 m
MIN. FOCUSING DISTANCE	10 m
APERTURE	F1.0
MAGNIFICATION	1 ×
FIELD OF VIEW(H × V), DEGREES/M @100 M	8.78° × 7.03°/15.36 m × 12.29 m
IMAGE DISPLAY	
DISPLAY	1024 × 768, 0.39 inch, OLED
PALETTES	Black Hot, White Hot, Red Hot, Fusion
FFC (FLAT FIELD CORRECTION) MODE	Auto, Manual, External Correction
EXIT PUPIL	22 mm
EYE RELIEF	10 mm
BRIGHTNESS ADJUSTMENT	Yes
TONE ADJUSTMENT	Cold, Warm
SYSTEM	
RECORD VIDEO	On-board video recording
CAPTURE SNAPSHOT	Yes
STANDBY MODE	Yes
STORAGE	Built-in EMMC (16 GB)
DPC	Yes
HOTSPOT	Yes
HOT TRACK	Yes
RETICLE	Yes

DISTANCE MEASUREMENT	Yes
RECOIL-ACTIVATION RECORDING	Yes
AUDIO RECORDING	Yes
MAX. RECOIL	1000 g/0.4 ms
IMAGE CALIBRATION	Yes
POWER SUPPLY	
BATTERY TYPE	Replaceable and Rechargeable Li-ion Battery
BATTERY OPERATING TIME	≥ 6.5 h (25°C, with hotspot off)
TYPE-C POWER SUPPLY	5 VDC, 2 A Supports external power supply
GENERAL	
PROTECTION LEVEL	IP67
DIMENSION	196.12mm × 73.36mm × 68.5mm
WEIGHT	553 g without battery
WORKING TEMPERATURE	-30°C to +55°C (-22°F to 131°F)

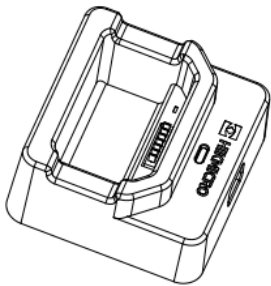
Available Model

HM-TR56-50S1G/W-TQ50C 2.0

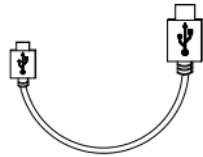
Dimension



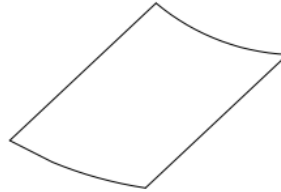
Accessories



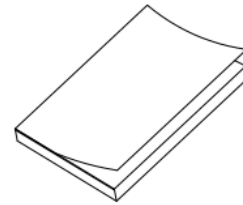
Battery Charger (x1)



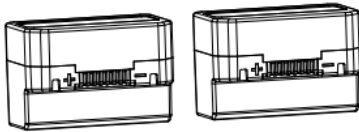
Type-C Cable (x1)



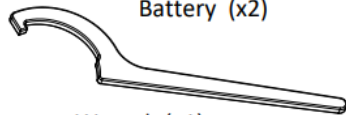
Lint-free Cloth (x1)



Quick Start Guide (x1)



Battery (x2)



Wrench (x1)



Bag (x1)

COMPLIANCE NOTICE: The thermal series products might be subject to export controls in various countries or regions, including without limitation, the United States, European Union, United Kingdom and/or other member countries of the Wassenaar Arrangement. Please consult your professional legal or compliance expert or local government authorities for any necessary export license requirements if you intend to transfer, export, re-export the thermal series products between different countries.



HIKMICRO SIGHT



HIKMICRO Outdoor hikmicro_outdoor HIKMICRO Outdoor HIKMICRO info@hikmicrotech.com <http://hikmicrotech.com/en>

Room 313, Unit B, Building 2, 399 Danfeng Road, Xixing Subdistrict, Binjiang District, Hangzhou, Zhejiang
@hangzhou microimage software co.,Ltd .2020 | data subject to change without notice!